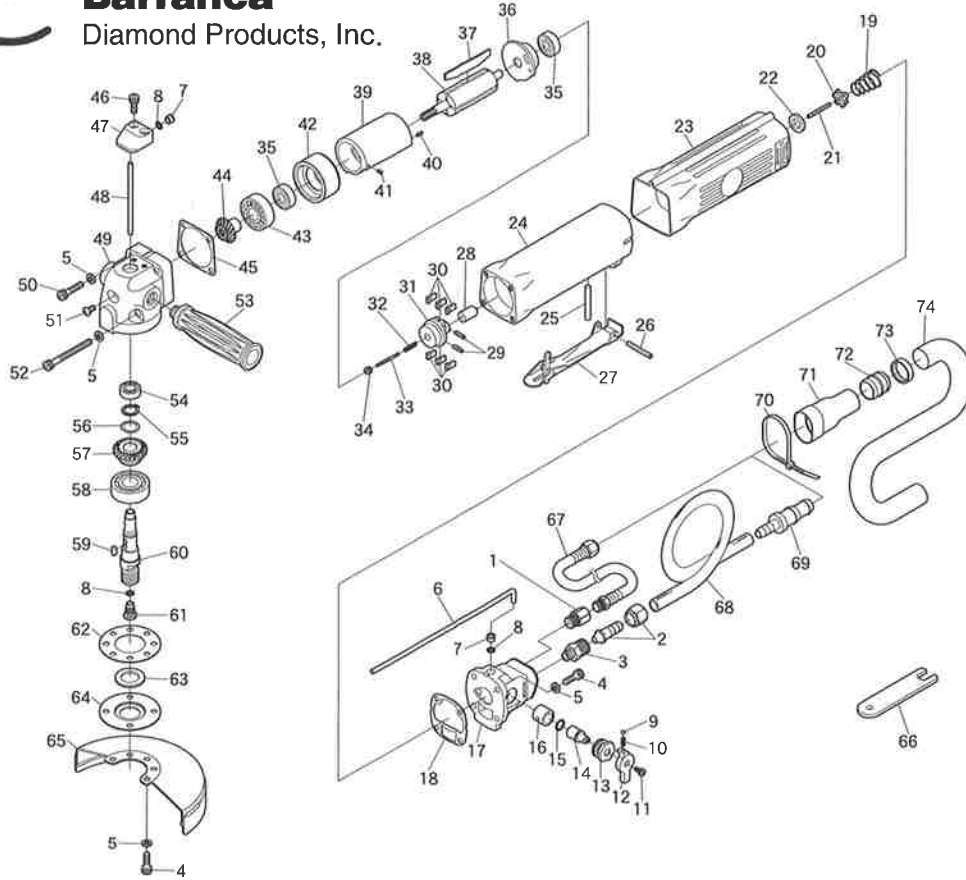


Barranca
Diamond Products, Inc.

BD-5000

WET AIR GRINDER



Ref. No.	Parts No.	Description	Q'ty	Ref. No.	Parts No.	Description	Q'ty
1	180-1	Inlet Bushing	1	34	240-33	Adjust Nut	1
2	1110A-61	Water Hose Joint	1	35	608-ZZ	Ball Bearing	2
3	1110A-22	Hose Adaptor	1	36	240RL-9	Rear Plate	1
4	Z-M50--150	Cap Screw	8	37	650-13	Rotor Blade	4
5	HSW-50	Washer	12	38	240-23	Rotor	1
6	241RW-7	Outer Pipe	1	39	241RW-14	Cylinder	1
7	1110-17	Pipe Bush	2	40	25-6	Roll Pin(2.5 φ -6mm)	1
8	P-4	O-Ring	3	41	25-4	Roll Pin(2.5 φ -4mm)	1
9	SB-1/8	Steel Ball	1	42	240RL-8	Front Plate	1
10	241RW-21	Spring	1	43	6201	Ball Bearing	1
11	Z-M30---80	Cap Screw	1	44	241RW-13	Pinion Gear	1
12	1110-4	Lever	1	45	241RW-17	Gasket	1
13	1110-21	Valve Nut	1	46	Z-M50--120	Cap Screw	2
14	1110A-19	Water Valve	1	47	241RW-6	Pipe Connector	1
15	S-8	O-Ring	1	48	241RW-8	Inner Pipe	1
16	241RW-16	Valve Bush	1	49	241RW-2	Angle Head	1
17	241RW-3	Valve Housing	1	50	Z-M50--220	Cap Screw	2
18	241RW-18	Gasket	1	51	F-M60---80	Screw	2
19	960-32	Valve Spring	1	52	Z-M50--500	Cap Screw	1
20	960-35	Valve	1	53	240B-2	Handle	1
21	30-28	Roll Pin(3 φ -28mm)	1	54	698	Ball Bearing	1
22	960-34	Valve Seat	1	55	JS-12	Retaining Ring	1
23	241RW-4	Housing Cover	1	56	WW-120	Wave Washer	1
24	241RW-1	Motor Housing	1	57	241RW-12	Bevel Gear	1
25	241RW-20	Valve Pin	1	58	6202LU	Ball Bearing	1
26	40-30	Roll Pin(4 φ -30mm)	1	59	940-46	Key	1
27	240-68	Throttle Lever	1	60	241RW-11	Spindle	1
28	240-31	Plunger	1	61	1110A-16	Nozzle	1
29	30-12	Roll Pin(3 φ -12mm)	2	62	240-5	Gasket	1
30	240-30	Pendulum	6	63	241RW-10	Felt Seal	1
31	240-29	Governor	1	64	241RW-9	Retainer	1
32	240-34	Governor Spring	1	65	241RW-5	Disc Cover	1
33	240-32	Adjust Screw	1	66	380-51	Spanner Wrench (10mm)	1